



Installation Instructions

Read thoroughly before installation, save these instructions for future use.

These instructions do not purport to cover all details for every possible contingency to be met in connection with installation, operation or maintenance. Should further information be required or should a particular problem arise which is not covered sufficiently for the purchaser's purpose, the matter should be referred to LEDspan Limited.

General:

This LED Lay-in Grid Fixture is designed for use in cleanroom grid ceilings. The light comes in two sizes to suit heavy or light duty grid ceilings. The fixture can also be surface mounted to a suitable surface. Correct results will be obtained when installed by a competent & qualified person.

Safety Instructions:

- i. **Warning – Risk of Shock** – Disconnect power before installation.
- ii. **Warning – Risk of fire or electric shock** – Installation requires knowledge of luminaire electrical systems. If not qualified do not attempt installation. Product must be installed in accordance with relevant and current electrical and building regulations. If you are not familiar with codes and requirements, contact a qualified electrician.
- iii. **Warning** – To prevent wiring damage or abrasion, do not expose wire to any edges or sharp objects.
- iv. Do not alter any part of the fixture as this can affect safety and performance and will void any warranty.
- v. Avoid touching the light engine and leave any protective wrap on the lens of the fixture until the light has being installed.

Contact Details:

LEDspan LTD, The Prince, Castlecomer, Co. Kilkenny, Rep. of Ireland.

W: www.LEDspan.com

E: info@LEDspan.com

N.B. The electrical connection to this fitting must only be carried out by a competent electrician.

Warning – Disconnect power before installation.



Before attempting to install this fixture please read all details on the previous page carefully.

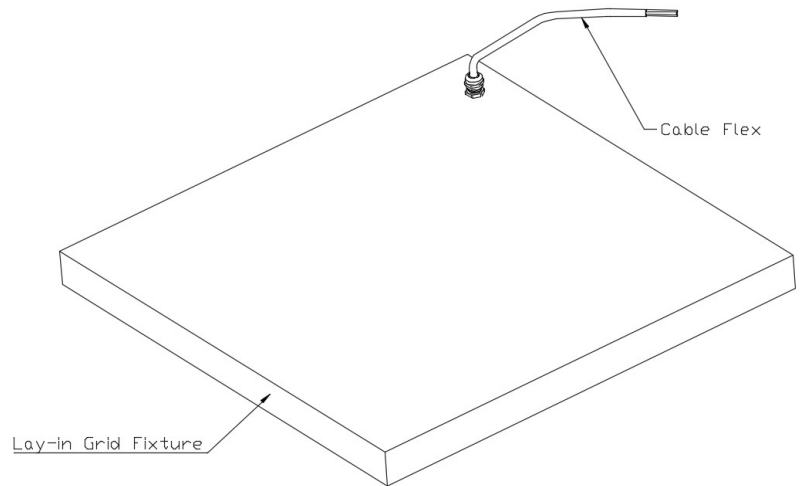


Fig 1 – Above the ceiling View

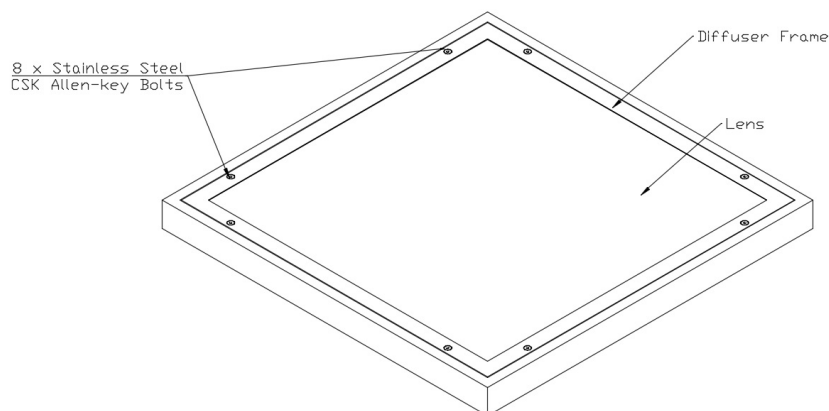
*Terminal block is fused.

*If an emergency pack version please contact LEDspan for specific wiring instructions.

*All local and International wiring laws/guidelines should be followed by a competent person.

1. Disconnect power.
2. Offer the Lay-in Grid Fixture up to the opening in the grid ceiling. Angle the fixture through the ope.
3. Rest the fixture on the T of the grid ceiling so the fixture is lying flat.
4. Finally line up the fixture so it is centred in the ope.
5. The fixture is wired internally with flex of approx. 3 meters from the fixture. The wiring from the fixture should be carried out by a competent electrician.

Fig 2 – Cleanroom

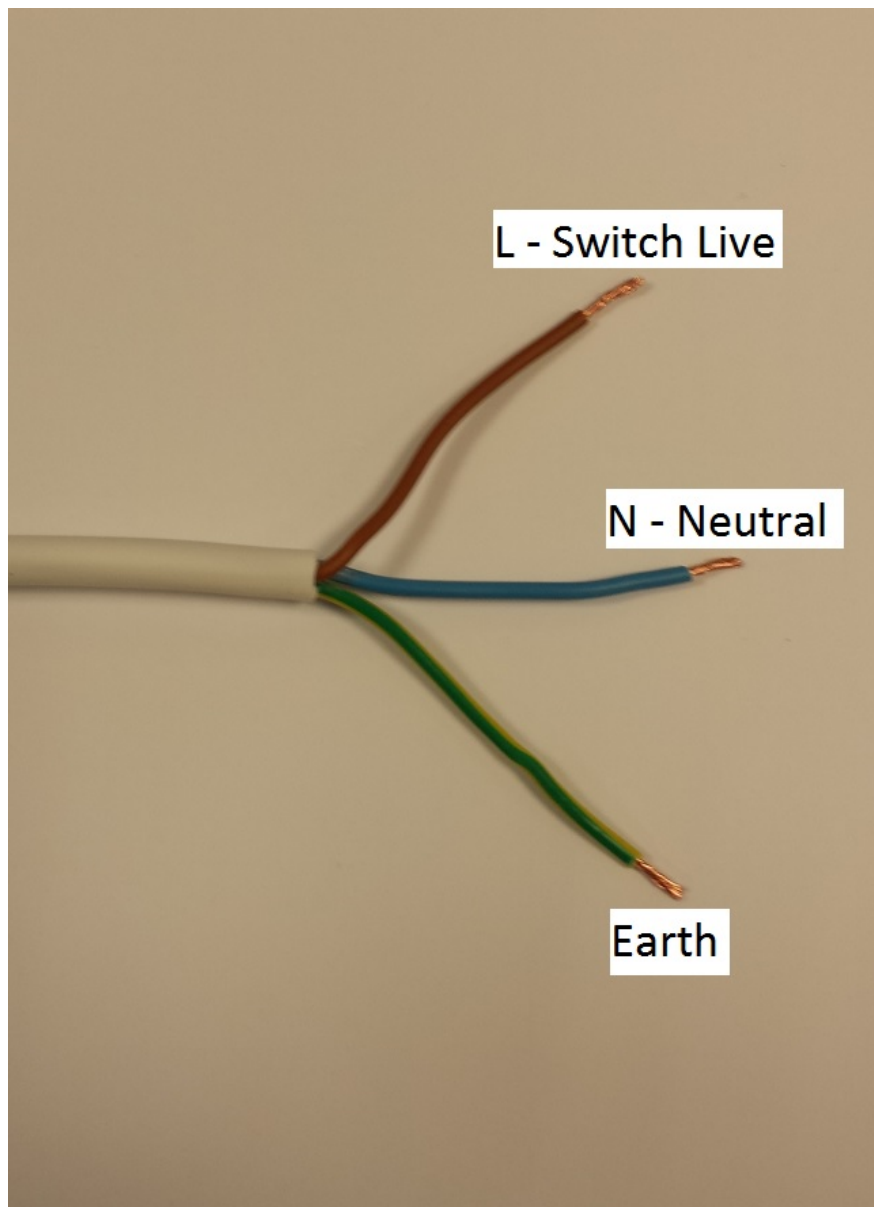


Wiring of a Standard & Emergency LEDspan Lay-in Grid Fixture

Instructions:

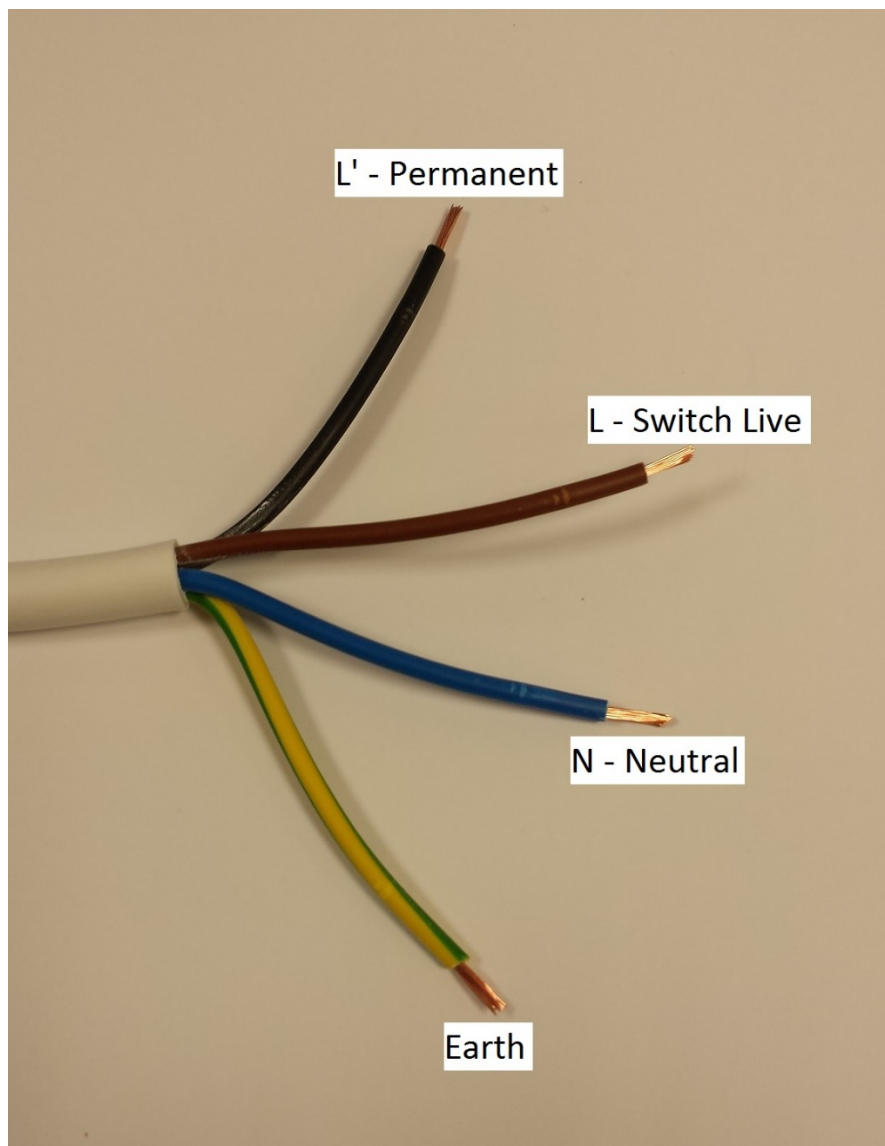
The standard Fixture comes with approx. 2-3m Flex. The flex is 3 core 0.75mm² cable (Image below).

Symbol	Description	Colour
L	Switch Live	Brown
N	Neutral	Blue
Earth	Earth	Green/Yellow



The Emergency Fixture comes with approx. 2-3m Flex. The flex is 4 core 1.5mm² cable (Image below).

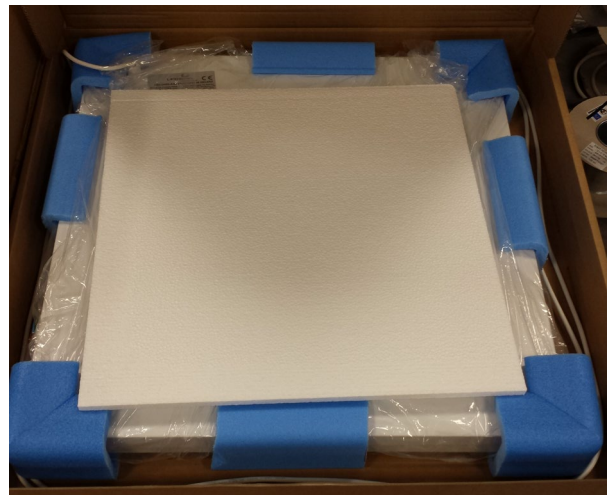
Symbol	Description	Colour
L'	Permanent Live	Black
L	Switch Live	Brown
N	Neutral	Blue
Earth	Earth	Green/Yellow



Delivery / Storage & Packing Instructions

PACKAGING CHARACTERISTICS

- Handle with care.
- Strapped bundle on a wooden pallet.
- All boxes stacked flat on their back and not on their side.
- No more than 48 LED lights per pallet.
- Each individual light is packed in a single walled cardboard box.
- Foam corners and rails with Styrofoam top and bottom surrounding each light.
- Each light is enclosed in a plastic bag.



STORAGE CHARACTERISTICS

- Always store in the original packaging.
- Stack all boxes flat on their back and not on their side.
- Store indoors at all times.
- Storage temperature not below -20° and above + 80°.

Emergency Lighting (EL) batteries

LEDspan EL batteries are typically Lithium Ion. These batteries have a 4-year life if installed and maintained properly.

Batteries must only be stored and installed within the manufacturers recommended limits.

Batteries can be discharged over a large temperature range, but the charge temperature is limited. For best results, charge between 10°C and 30°C, (0°C to 40°C max range).

Avoid frequent full discharges of the lithium batteries.

Contact Details

The Prince, Castlecomer, Co. Kilkenny, Rep. of Ireland.

W: www.LEDspan.com

E: info@LEDspan.com

LEDspan Lay-in Grid Fixture Product Warranty

This warranty applies to product codes:

Lay-in Grid Fixture	
610x610x45mm Version	595x595x45mm Version
LLIG1(8/M)-54W	LLIG2(8/M)-54W
LLIG1(8/M)-54WE	LLIG2(8/M)-54WE
LLIG1(8/M)-42W	LLIG2(8/M)-42W
LLIG1(8/M)-42WE	LLIG2(8/M)-42WE
LLIG1(8/M)-31W	LLIG2(8/M)-31W
LLIG1(8/M)-31WE	LLIG2(8/M)-31WE

Warranty:

LEDspan offers a 5-year warranty against manufacturing and material defects on all products branded LEDspan. This warranty is valid from the invoice date and applies to manufacturing and material defects if the products have been used and installed in accordance with their intended purpose and application, in a professional and legal manner and in accordance with the product datasheets, service manuals and installation instructions, and within the specified operational environment. The warranty does not cover any type of consequential loss or failures due to exposure to extreme conditions beyond the control of LEDspan. This warranty does not include the following: Parts that need to be replaced or maintained due to normal wear and tear ie. Batteries which have a warranty of 1 year. Failures due to compatibility issues between the products and the installation and testing environment. Products that have been modified or repaired by unauthorized personnel. Normal scheduled maintenance and repairs. LEDspan shall make every reasonable effort to have repaired or replaced free of charge any goods which are, or become, defective through any fault in design, material or workmanship in the manufacture thereof, provided that such defects occurs within the lesser of 12 months of the date of manufacture and provided that the client notifies LEDspan of any such defects immediately when it occurs.

LIMITATION OF LIABILITY:

REPAIR OR REPLACEMENT OF THIS PRODUCT, AS PROVIDED HEREIN, IS YOUR EXCLUSIVE REMEDY. LEDspan SHALL NOT BE LIABLE FOR ANY SPECIAL, INCIDENTAL OR CONSEQUENTIAL DAMAGES, INCLUDING, BUT NOT LIMITED TO, LOST REVENUES, LOST PROFITS, RENTAL OF REPLACEMENT EQUIPMENT, DOWNTIME, DAMAGE TO PROPERTY, AND THIRD-PARTY CLAIMS, ARISING OUT OF ANY THEORY OF RECOVERY, INCLUDING WARRANTY, CONTRACT, STATUTORY OR TORT.

NOTWITHSTANDING THE TERM OF ANY LIMITED WARRANTY OR ANY WARRANTY IMPLIED BY LAW, OR IN THE EVENT THAT ANY LIMITED WARRANTY FAILS OF ITS ESSENTIAL PURPOSE, IN NO EVENT WILL LEDspan's ENTIRE LIABILITY EXCEED THE PURCHASE PRICE OF THIS PRODUCT. SOME STATES/PROVINCES DO NOT ALLOW THE EXCLUSION OR LIMITATION OF INCIDENTAL OR CONSEQUENTIAL DAMAGES, SO THE ABOVE LIMITATION OR EXCLUSION MAYNOT APPLY TO YOU. THIS WARRANTY GIVES YOU SPECIFIC LEGAL RIGHTS AND YOU MAY ALSO HAVE OTHER RIGHTS THAT VARY FROM STATE TO STATE AND PROVINCE TO PROVINCE.

W: www.LEDspan.com

E: info@LEDspan.com

The Prince, Castlecomer, Co. Kilkenny, Ireland.

TEL: + 353 (0) 56 44 00088

FAX: + 353 (0) 56 44 00080