



Installation Instructions

Read thoroughly before installation, save these instructions for future use.

These instructions do not purport to cover all details for every possible contingency to be met in connection with installation, operation or maintenance. Should further information be required or should a particular problem arise which is not covered sufficiently for the purchaser's purpose, the matter should be referred to LEDspan Limited.

General:

This LED Walk-On Fixture Top Access is designed for use in cleanroom panel ceilings. It has a flush finish in the cleanroom and above the ceiling. Correct results will be obtained when installed by a competent & qualified person.

Safety Instructions:

- i. **Warning – Risk of Shock** – Disconnect power before installation.
- ii. **Warning – Risk of fire or electric shock** – Installation requires knowledge of luminaire electrical systems. If not qualified do not attempt installation. Product must be installed in accordance with relevant and current electrical and building regulations. If you are not familiar with codes and requirements, contact a qualified electrician.
- iii. **Warning** – To prevent wiring damage or abrasion, do not expose wire to any edges or sharp objects.
- iv. Do not alter any part of the fixture as this can affect safety and performance and will void any warranty.
- v. Avoid touching the light engine and leave any protective wrap on the lens of the fixture until the light has being installed.

Contact Details:

LEDspan LTD, The Prince, Castlecomer, Co. Kilkenny, Rep. of Ireland.

W: www.LEDspan.com

E: info@LEDspan.com

N.B. The electrical connection to this fitting must only be carried out by a competent electrician.

Installation or removal of this luminaire is a two-person exercise, with one person positioned safely on the walk-on ceiling and one person positioned in the clean room underneath. Two way radio communication is recommended.

Warning – Disconnect power before installation.

Installation of Luminaire

1. Ensure ceiling aperture is formed to the correct size, slightly larger than the upstand frame.
2. (Person1): Holding the fitting by the metal sides, offer the front frame up into the ceiling panel aperture. Feed the cable flex through the opening also until the luminaire frame finishes flush with the ceiling.

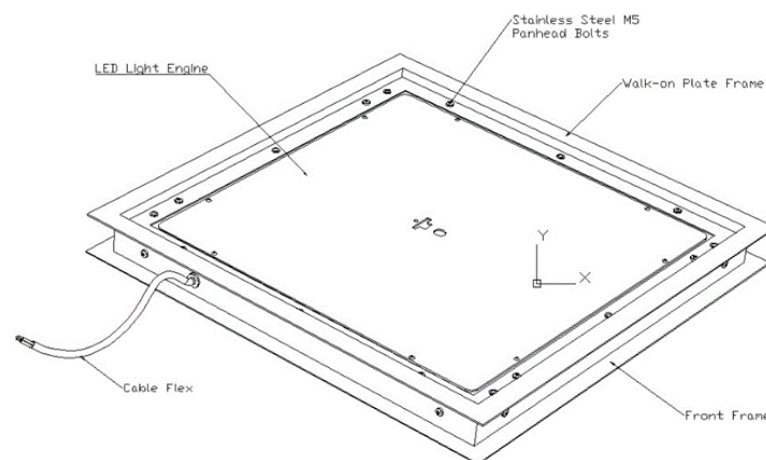


Figure 1

3. (Person 2): From above the ceiling, take the walk-on plate frame (Figure 2) and place it in the ceiling aperture. Align the screw holes correctly with those in the front frame assembly and using the 8 screws provided screw the two frames together.

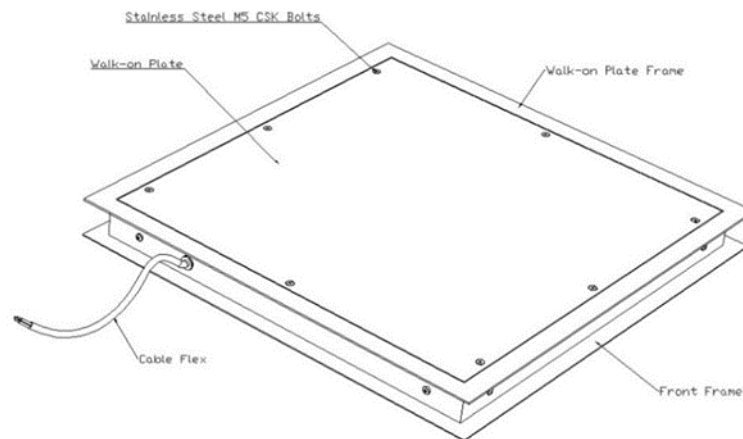
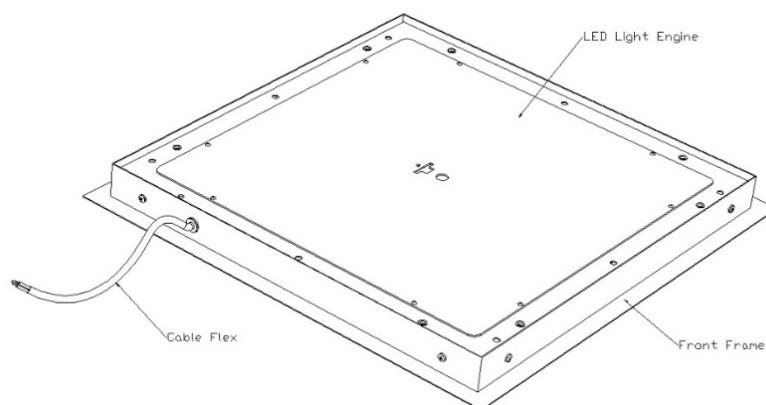


Figure 2

4. (Person 2): From above the ceiling, take the walk-on plate (Figure 2) and place it into the walk on frame. Align the screw holes correctly with those in the walk on plate frame and using the screws provided screw the two frames together.
5. The Fixture is wired internally with flex of approx. 3 meters from the fixture. The wiring from the fixture should be carried out by a competent electrician.

Removal of luminaire

If removing this Luminaire, Person 1 must stand underneath and take the weight while person 2 removes the screws on top of the fitting. Once the screws are removed the lower section of the fitting can be lowered down and removed from the ceiling.

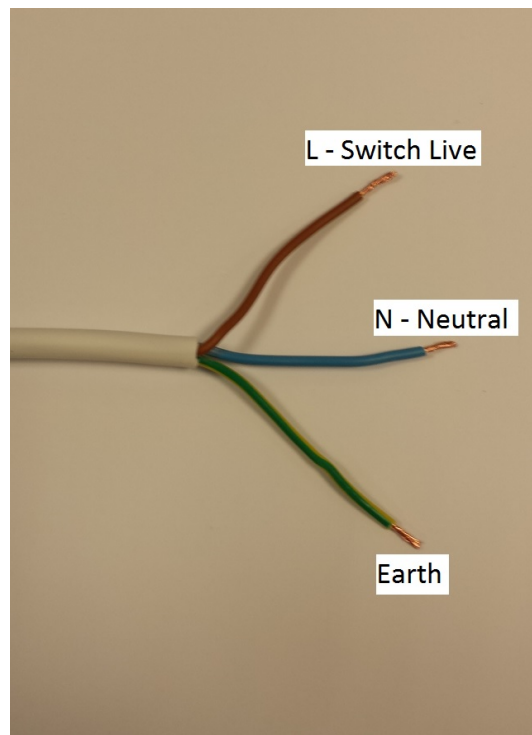


Wiring of a Standard & Emergency LEDspan Walk-on Fixture

Instructions:

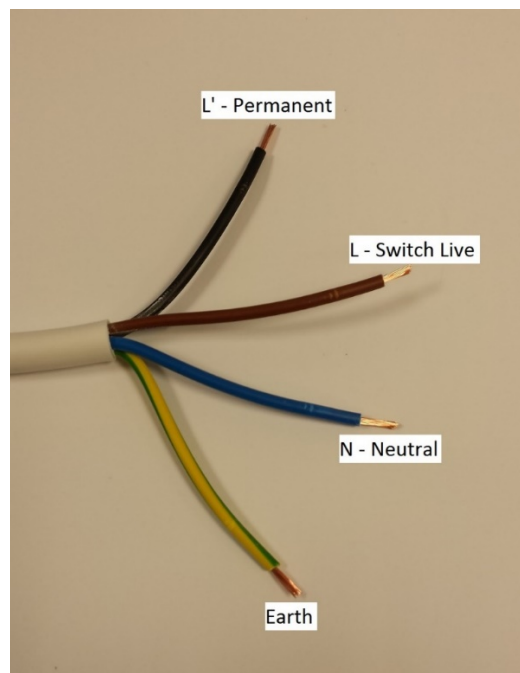
The standard Fixture comes with approx. 2-3m Flex. The flex is 3 core 0.75mm² cable (Image below).

Symbol	Description	Colour
L	Switch Live	Brown
N	Neutral	Blue
Earth	Earth	Green/Yellow



The Emergency Fixture comes with approx. 2-3m Flex. The flex is 4 core 1.0mm² cable (Image below).

Symbol	Description	Colour
L'	Permanent Live	Black
L	Switch Live	Brown
N	Neutral	Blue
Earth	Earth	Green/Yellow



STORAGE CHARACTERISTICS

- Always store in the original packaging.
- Stack all boxes flat on their back and not on their side.
- Store indoors at all times.
- Storage temperature not below -20° and above + 80°.

Emergency Lighting (EL) batteries

LEDspan EL batteries are typically Lithium Ion. These batteries have a 4-year life if installed and maintained properly.

Batteries must only be stored and installed within the manufacturers recommended limits.

Batteries can be discharged over a large temperature range, but the charge temperature is limited. For best results, charge between 10°C and 30°C, (0°C to 40°C max range).

Avoid frequent full discharges of the lithium batteries.

Contact Details

LEDspan LTD, The Prince, Castlecomer, Co. Kilkenny, Rep. of Ireland.

W: www.LEDspan.com

E: info@LEDspan.com

LEDspan Walk on Fixture Product Warranty

This warranty applies to product codes:

WALK ON TOP ACCESS FIXTURES	
LWOTA50	LWOTA50E
LWOTA60	LWOTA60E
LWOTA65	LWOTA65E
LWOTA70	LWOTA70E
LWOTA75	LWOTA75E
LWOTA80	LWOTA80E
LWOTA90	LWOTA90E
LWOTA100	LWOTA100E
LWOTA125	LWOTA125E

Warranty:

LEDspan offers a 5-year warranty against manufacturing and material defects on all products branded LEDspan. This warranty is valid from the invoice date and applies to manufacturing and material defects if the products have been used and installed in accordance with their intended purpose and application, in a professional and legal manner and in accordance with the product datasheets, service manuals and installation instructions, and within the specified operational environment. The warranty does not cover any type of consequential loss or failures due to exposure to extreme conditions beyond the control of LEDspan. This warranty does not include the following: Parts that need to be replaced or maintained due to normal wear and tear ie. Batteries which have a warranty of 1 year. Failures due to compatibility issues between the products and the installation and testing environment. Products that have been modified or repaired by unauthorized personnel. Normal scheduled maintenance and repairs. LEDspan shall make every reasonable effort to have repaired or replaced free of charge any goods which are, or become, defective through any fault in design, material or workmanship in the manufacture thereof, provided that such defects occurs within the lesser of 12 months of the date of manufacture and provided that the client notifies LEDspan of any such defects immediately when it occurs.

LIMITATION OF LIABILITY:

REPAIR OR REPLACEMENT OF THIS PRODUCT, AS PROVIDED HEREIN, IS YOUR EXCLUSIVE REMEDY. LEDspan SHALL NOT BE LIABLE FOR ANY SPECIAL, INCIDENTAL OR CONSEQUENTIAL DAMAGES, INCLUDING, BUT NOT LIMITED TO, LOST REVENUES, LOST PROFITS, RENTAL OF REPLACEMENT EQUIPMENT, DOWNTIME, DAMAGE TO PROPERTY, AND THIRD-PARTY CLAIMS, ARISING OUT OF ANY THEORY OF RECOVERY, INCLUDING WARRANTY, CONTRACT, STATUTORY OR TORT.

NOTWITHSTANDING THE TERM OF ANY LIMITED WARRANTY OR ANY WARRANTY IMPLIED BY LAW, OR IN THE EVENT THAT ANY LIMITED WARRANTY FAILS OF ITS ESSENTIAL PURPOSE, IN NO EVENT WILL LEDspan's ENTIRE LIABILITY EXCEED THE PURCHASE PRICE OF THIS PRODUCT. SOME STATES/PROVINCES DO NOT ALLOW THE EXCLUSION OR LIMITATION OF INCIDENTAL OR CONSEQUENTIAL DAMAGES, SO THE ABOVE LIMITATION OR EXCLUSION MAYNOT APPLY TO YOU. THIS WARRANTY GIVES YOU SPECIFIC LEGAL RIGHTS AND YOU MAY ALSO HAVE OTHER RIGHTS THAT VARY FROM STATE TO STATE AND PROVINCE TO PROVINCE.

W: www.LEDspan.com

E: info@LEDspan.com

The Prince, Castlecomer, Co. Kilkenny, Rep. Of Ireland.

TEL: + 353 (0) 56 44 00088